

Permanent Magnetic lifter

Permanent Magnetic lifter (lifting magnet) is mainly applicable to lift, carry and stack steel and iron components, especially for moving workpieces in processing. Not only the lifter can carry flat workpiece, but also can carry steel rod, tubes and round workpiece etc. Because of magnetic attraction itself, the magnetic lifter needn't slings, clamps or other holding devices which may damage the surface of lifted goods. Weike magnetic lifter is no need to charge with electricity. Special structure keeps the magnetism. Lifting magnet is made by permanent magnets, never demagnetization. Weike magnetic lifter is large load lifting capacity, small volume, easy operation and safety in use.



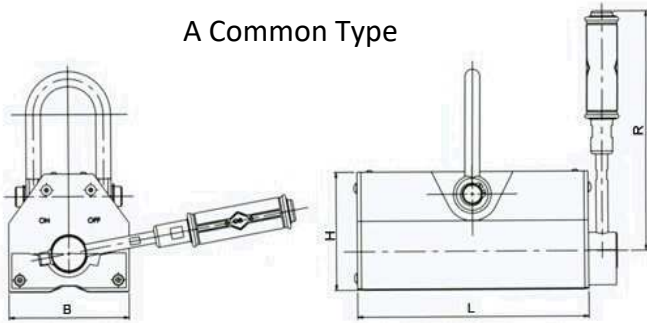
ADVANTAGES

- 1 Main structure: lifter body, rings, operation handle, locking device.
- 2 Rated load lifting capacity $\geq 200\text{KG}$ Force of handle $\leq 50\text{N}$
- 3 High performance NdFeB magnetic steel and the best magnetic circuit guarantee strong attrition. The safety factor of common type is 3.0, and the reinforced type can reach to 3.5. It means every lifter can bear 3.5 times of its safety lifting force.
- 4 All the steel components are guaranteed long time service life without malfunction. High quality steel is processed by CNC machine tool, it makes the precision and strength of every lifter is the same.
- 5 Two types of lifting ring for optional, chromed and nickel-plated.

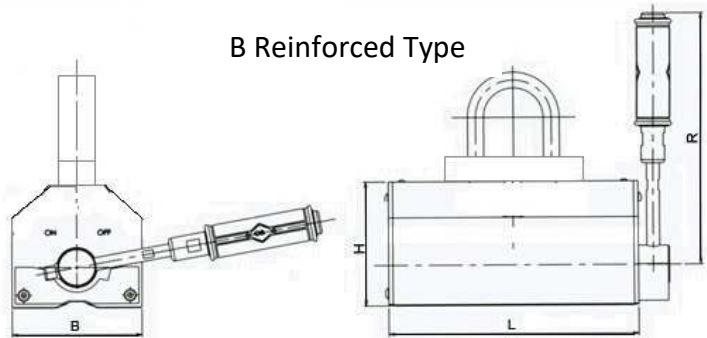


MODELS AND SPECIFICATION

A Common Type



B Reinforced Type



| Model | Length | | Width W mm | Height | | Handle | | Weight | | Max flat workpiece kg | Max steel rod kg |
|----------------|--------|-----|---------------|--------|-----|--------|-----|--------|----|-----------------------------|------------------------|
| | L mm | | | H mm | | R mm | | Kg | | | |
| | A | B | | A | B | A | B | A | B | | |
| PML100 | 130 | 135 | 70 | 60 | 70 | 200 | 190 | 4 | 5 | 100 | 50 |
| PML300 | 200 | 210 | 95 | 80 | 90 | 230 | 225 | 9 | 11 | 300 | 150 |
| PML600 | 275 | 285 | 125 | 100 | 110 | 260 | 255 | 25 | 28 | 600 | 300 |
| PML1000 | 310 | 315 | 160 | 140 | 150 | 380 | 380 | 41 | 50 | 1000 | 500 |
| PML1500 | 390 | 400 | 160 | 140 | 150 | 380 | 385 | 52 | 62 | 1500 | 750 |
| PML2000 | 490 | 500 | 160 | 140 | 150 | 380 | 385 | 68 | 80 | 2000 | 1000 |

Technical Changes

The data and illustrations in this catalogue are not binding and only provide an approximate description. We reserve the right to make changes to the product delivered compared with the data and illustrations in this catalogue, e.g. in respect of technical data, design, fittings, material and external appearance.

Weike Precision Machinery Co., Ltd

Cao'e Economic Zone, Shangyu, Zhejiang, China
Tel: 86-575-82566722 Mobile +86-13867501690

info@weikeltd.com
www.wkmagnetic.com